

Bird Houses For Songbirds

H. Lee Stribling
Extension Wildlife Specialist

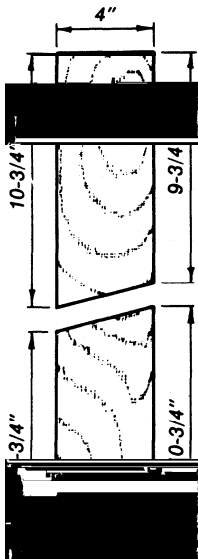
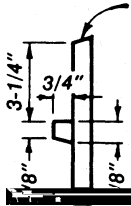
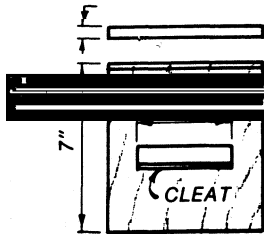
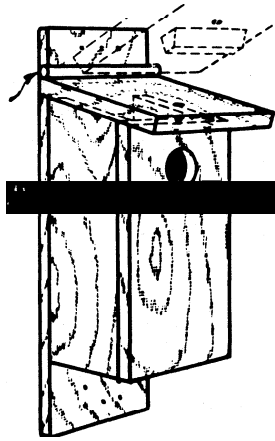
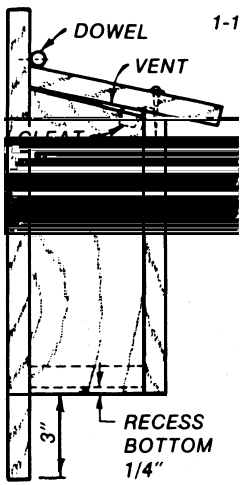
Bluebirds, robins, chickadees, titmice, wrens, and purple martins adapt easily to using bird houses. They will choose rural or urban yards alike where there is a small patch of suitable habitat. This may consist of homemade bird houses and berry baskets of hair, moss, cottonballs, and yarn. Or, it may be a patch of wild garden and trees. The birds' nest building and food gathering provide hours of entertainment to armchair bird watchers.

Nest Box Construction

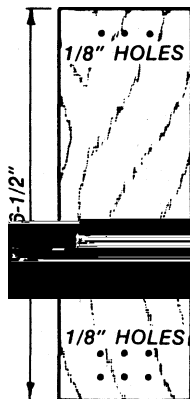
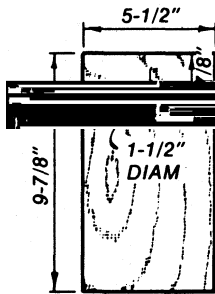
Lumber.-Almost any grade of untreated lumber can be used to build nest boxes. Several types of wood, however, are more durable and desirable. Treated *lumber should not be* used for nest *boxes*. The most durable woods include cypress, cedar, and redwood. Pine, although less durable, is easier to work and somewhat less expensive than other wood. Exterior-grade plywood can also be used; it is recommended for roof boards, no matter what lumber is used to construct the nest box. Lumber should be at least 3/4 inch thick to provide insulation for the birds. Nest box dimensions and height for placement are shown in Table 1. Construction details of some boxes are shown in Figures 1 to 4.

Painting.-Painting is not necessary except for purple martin houses or others made of soft wood. Use a water-based exterior latex if the box needs paint. Do not install the box for at least 2 weeks after painting. Light shades of green and red are also suitable for nest boxes.

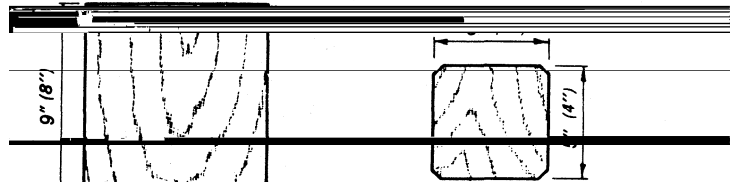
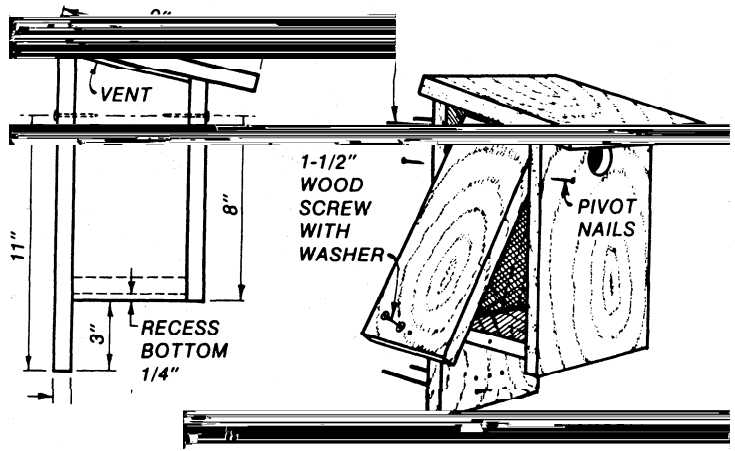
Sj-0.0386728c 0.733695Tw T*(anOn tolht shcorimshould be ated)TDo a an

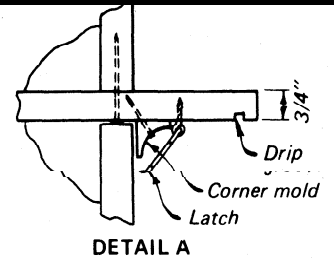
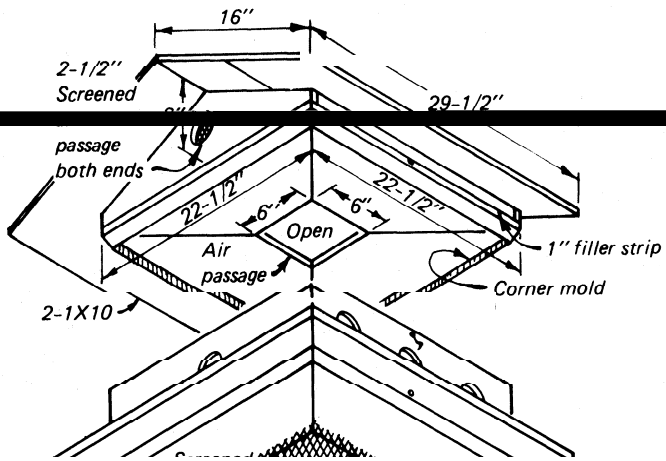


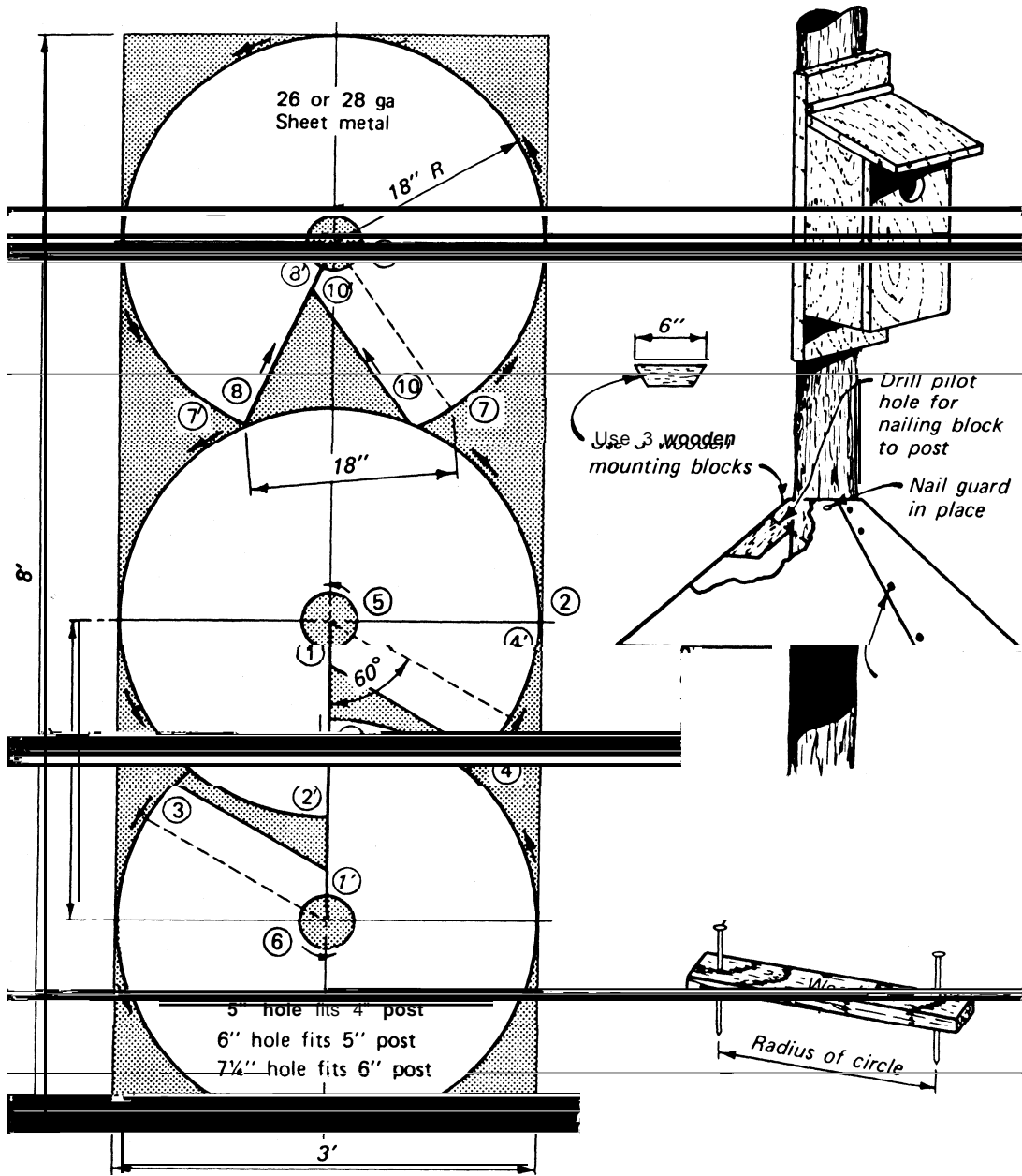
SIDES

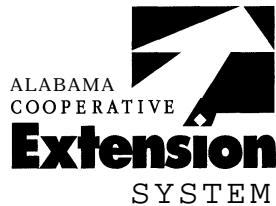


BOTTOM









CIRCULAR ANR-550

Recommended for Extension use by Lee Stribling, *Extension Wildlife* Scientist, Associate Professor, Zoology and Wildlife Science, Auburn University.

This publication was written by Karen Fleming, Graduate Assistant, Auburn University Department of Zoology and Wildlife Science. This material was adapted from the following source: Mitchell, Wilma A. 1988. Songbird Nest Boxes: Section 5.1.8, U.S. Army Corps of Engineers Wildlife Resources Management Manual, Technical Report EL-88-19, U.S. Army Engineer Waterways Experiment Station, Vicksburg, Mississippi. Illustrations are adapted from the work of John R. Harris, Scientific Illustrations Section, IPD, under the supervision of Aubrey W. Stephens, Jr.

For more information, call your county Extension office. Look in your telephone directory under your county's name to find the number.

Issued in furtherance of Cooperative Extension work in agriculture and home economics, Acts of May 8 and June 30, 1914, and other related acts, in cooperation with the U.S. Department of Agriculture. The Alabama Cooperative Extension System (Alabama A&M University and Auburn University) offers educational programs, materials, and equal opportunity employment to all people without regard to race, color, national origin, religion, sex, age, veteran status, or disability.

UPS, 10M17, Rep. 10:96 ANR-550